

CODICE/CODE: **ZGL120096**

Batteria sigillata AGM  
AGM maintenance free battery



Volt		12V
Capacity/capacità (20h)		240Ah
Capacity/capacità 25°C	10h	200Ah
	5h	204Ah
	1h	183.5Ah
Internal Resistance	Full Charged Battery 25°C	≤3mΩ
Capacity affected by Temperature	40°C	102%
	25°C	100%
	0°C	85%
	-15°C	65%
Self-Discharge 25°C Capacity	after 3 month storage	90%
	after 6 month storage	80%
	after 12 month storage	62%
Charge (Constant Voltage) 25°C	Float	13.6-13.8Volt
	Charge	Max. 60Amp. 14.4-14.9Volt

Battery Dimensions/ Dimensioni batteria	L/L	522mm
	W/P	238mm
	H/A	218mm
	Tot- H/A	220mm
Box Dimensions/ Dimensioni scatola	L/L	
	W/P	
	H/A	
Weight/peso		64.5Kg
Terminal/terminale		M8
Case/contenitore		ABS

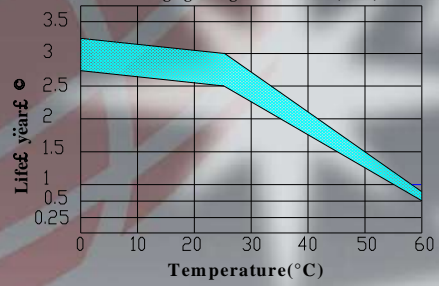
### Amp. (25°C)

F.V/Time	5min	10min	15min	30min	45min	1h	2h	3h	5h	8h	10h	20h
1.60V		440	358	210		138		53.1	39.0		20.5	10.70
1.65V		414	337	203		135		52.0	38.2		20.4	10.65
1.70V		390	316	195		132		51.0	37.5		20.3	10.60
<b>1.75V</b>		<b>364</b>	<b>295</b>	<b>188</b>		<b>129</b>		<b>49.8</b>	<b>36.7</b>		<b>20.2</b>	<b>10.55</b>
1.80V		334	274	180		126		48.4	35.9		20.0	<b>10.50</b>

### Watts (25°C)

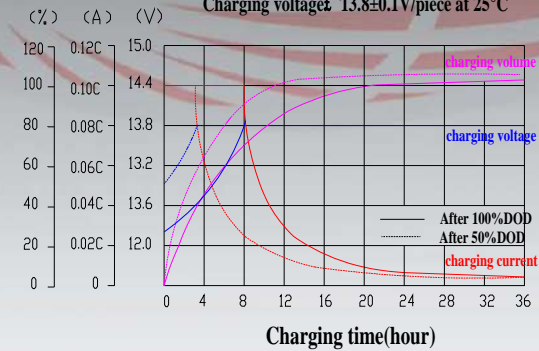
F.V/Time	5min	10min	15min	30min	45min	1h	2h	3h	5h	8h	10h	20h
1.60V		756	611	402	287	266	145	103	74.3			
1.65V		719	591	387	282	261	142	102	73.7			
1.70V		681	572	372	276	256	139	100	73.1			
<b>1.75V</b>		<b>641</b>	<b>553</b>	<b>357</b>	<b>270</b>	<b>250</b>	<b>136</b>	<b>98.8</b>	<b>72.6</b>			
1.80V		609	520	342	265	245	132	97.7	72.0			

**Temperature effect on float life**  
Float charging voltage  $\pm 0.01V$  (25°C)

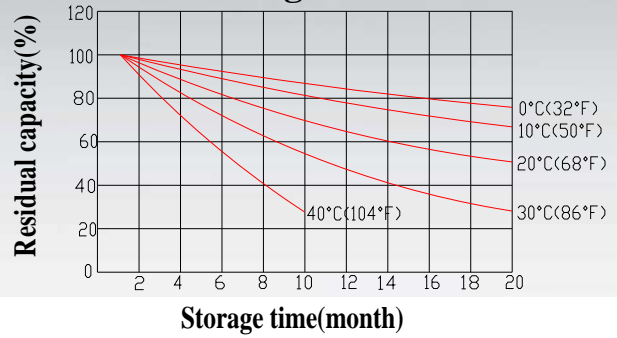


## Charging characteristics

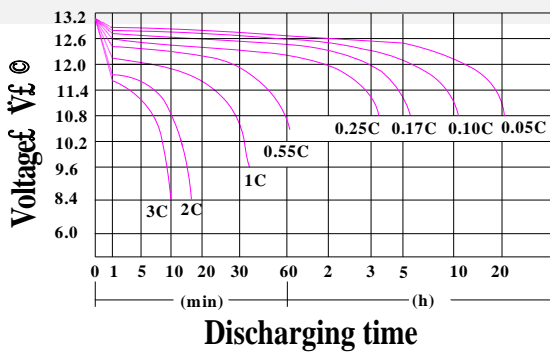
Charging voltage  $\pm 0.1V$ /piece at 25°C



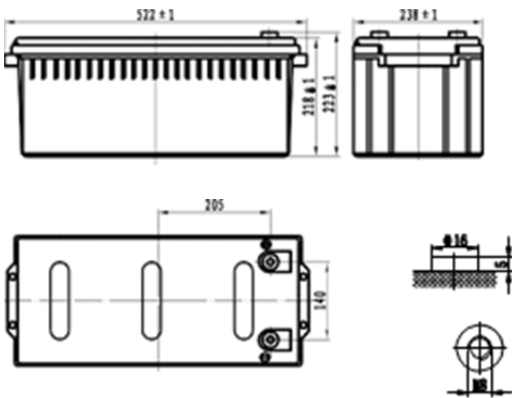
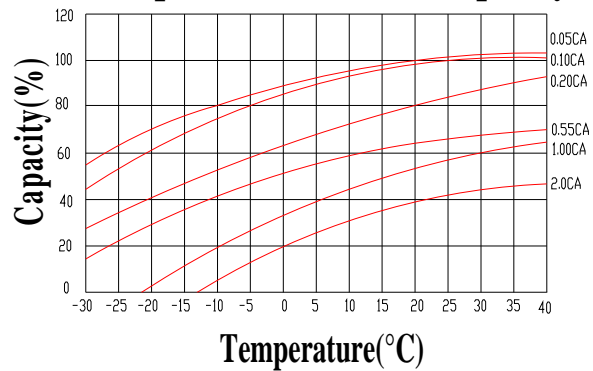
## Temperature effect on battery self-discharge



## Discharge characteristics (25°C)



## Temperature effect on capacity





# Zenith

This information is generally descriptive only and is not intended to make or imply any representation, guarantee or warranty with respect to any cells and batteries. Cell and battery designs/specification are subject to modification without notice. Contact U.B.S. UNION BATTERY SERVICE for the latest information.

Le informazioni contenute in questa scheda tecnica sono solo descrittive e indicative, non sono una garanzia. U.B.S. UNION BATTERY SERVICE si riserva il diritto di aggiornarle/modificarle senza preavviso



[www.unionbatteryservice.it](http://www.unionbatteryservice.it)