

CODICE/CODE: **ZL1201100**

Batteria sigillata AGM DEEP-CYCLE (uso ciclico)
DEEP-CYCLE AGM maintenance free battery



Volt		12V
Capacity/capacità (20h)		120Ah
Capacity/capacità 25°C	10h	108Ah
	5h	98Ah
	1h	66.5Ah
Internal Resistance	Full Charged Battery 25°C	≤4.8m Ω
Capacity affected by Temperature/Effetti della temperature sulla capacità	40°C	102%
	25°C	100%
	0°C	85%
Self-Discharge 25°C Capacity / Autoscarica a 25°C	after 3 month storage	90%
	after 6 month storage	80%
	after 12 month storage	62%
Charge cycle/ Ciclo di carica	IU + h	"In" max. 24Amp; "V1" 2.43V/cell
	IUIa	"In" max. 24Amp; "V1" 14.4Volt; "If" 1Amp.

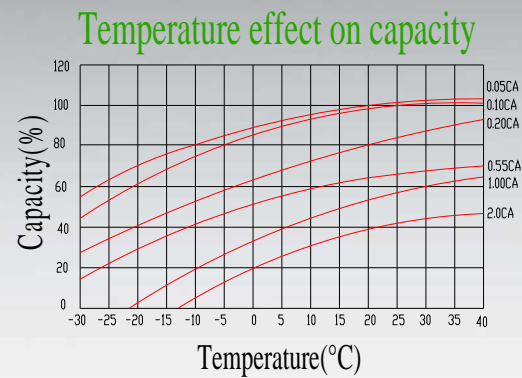
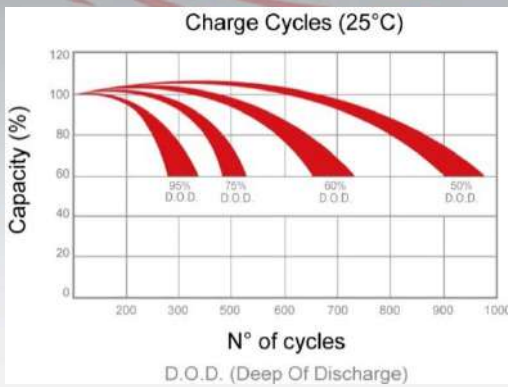
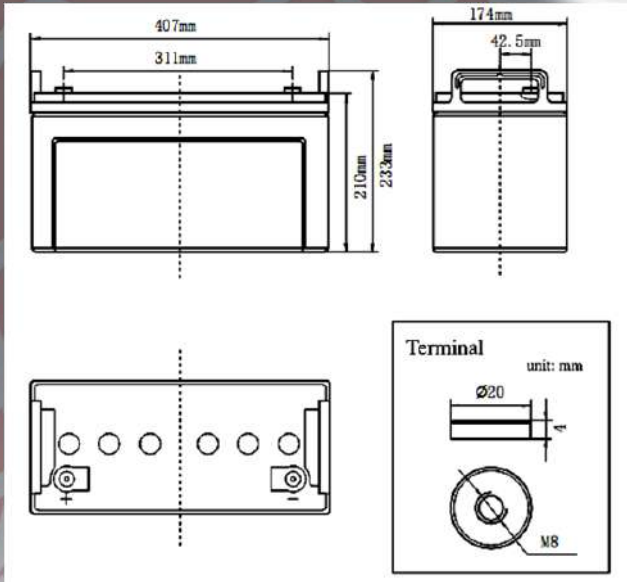
Battery Dimensions/ Dimensioni batteria	L/L	409mm
	W/P	177mm
	H/A	225mm
	Tot- H/A	225mm
Box Dimensions/ Dimensioni scatola	L/L	422mm
	W/P	188mm
	H/A	289mm
Weight/peso		36.2Kg
Terminal/terminal		M8
Case/contenitore		ABS

Amp. (25°C)

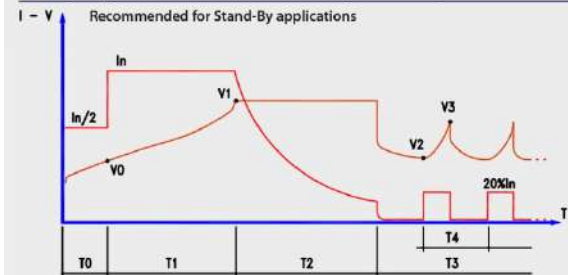
F.V/Time	5min	10min	15min	30min	45min	1h	2h	3h	5h	8h	10h	20h
1.60V	285.1	181.8	154.4	98.6	72.5	66.5	42.3	29.7	20.2	13.3	11.9	6.6
1.65V	279.9	178.5	151.6	96.8	71.2	65.3	41.5	29.2	19.8	13.1	11.7	6.48
1.70V	274.8	175.2	148.8	95.0	69.8	64.1	40.8	28.6	19.5	12.8	11.4	6.36
1.75V	269.6	171.8	146.0	93.2	68.5	62.9	40.0	28.1	19.1	12.6	11.2	6.24
1.80V	259.2	165.2	140.4	89.6	65.9	60.5	38.4	27.0	18.4	12.1	10.8	6.00

Watts (25°C)

F.V/Time	5min	10min	15min	30min	45min	1h	2h	3h	5h	8h	10h	20h
1.60V	548.9	349.9	297.3	189.8	139.5	128.1	81.4	57.2	38.9	25.6	22.9	12.7
1.65V	538.9	343.5	291.9	186.4	137.0	125.7	79.9	56.1	38.2	25.1	22.5	12.5
1.70V	528.9	337.2	286.5	182.9	134.4	123.4	78.5	55.1	37.5	24.7	22.0	12.2
1.75V	518.9	330.8	281.1	179.5	131.9	121.1	77.0	54.1	36.8	24.2	21.6	12.0
1.80V	499.0	318.1	270.3	172.6	126.8	116.4	74.0	52.0	35.3	23.3	20.8	11.5



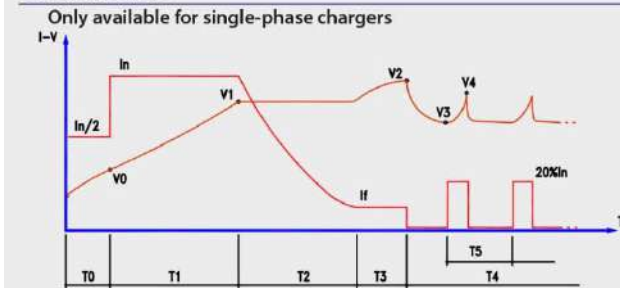
Charge cycle for sealed batteries (GEL/AGM): IU + holding



- I_n = PROGRAMMED CAPACITY/10
- V_0 = 1.90 V/CELL
- V_1 = PROGRAMMED VALUE
- V_2 = 2.10 V/CELL
- V_3 = 2.30 V/CELL
- T_0 = MAX. 1 HR
- T_1 = MAX. 12 HRS
- T_2 = T_1 (MIN. 2-MAX. 5 HRS)
- T_3 = UNLIMITED

“IU1a” charge cycle is always recommended in case of more than 2 batteries in series
 Ciclo di carica “IU1a” è sempre necessario qualora ci siano più di 2 batterie collegate in serie

IU1a charge cycle



- I_n = PROGRAMMED VALUE (CHARGE I)
- I_f = PROGRAMMED VALUE (FINAL I)
- V_0 = 1.90 V/CELL
- V_1 = PROGRAMMED VALUE (THRESHOLD V)
- V_2 = PROGRAMMED VALUE (LOCK V)
- V_3 = 2.10 V/CELL
- V_4 = 2.30 V/CELL
- T_0 = MAX. 1 HR
- T_1 = MAX. 12 HRS
- T_2 = MAX. $T_1 + 6$ HRS OR $I = I_f$
- T_3 = MAX. 4 HRS
- T_4 = UNLIMITED
- T_5 = MAX. 6 HRS