

CODICE/CODE: **ZL120135**

Batteria sigillata AGM DEEP-CYCLE (uso ciclico)
DEEP-CYCLE AGM maintenance free battery



Volt		12V
Capacity/capacità (20h)		35Ah
Capacity/capacità 25°C	10h	33Ah
	5h	27.5Ah
	1h	19.4Ah
Internal Resistance	Full Charged Battery 25°C	≤12m Ω
Capacity affected by Temperature/Effetti della temperature sulla capacità	40°C	102%
	25°C	100%
	0°C	85%
Self-Discharge 25°C Capacity / Autoscarica a 25°C	after 3 month storage	90%
	after 6 month storage	80%
	after 12 month storage	62%
Charge cycle/ Ciclo di carica	IU + h	"In" max. 9Amp; "V1" 2.43V/cell
	IUIa	"In" max. 9Amp; "V1" 14.4Volt; "If" 0.5Amp.

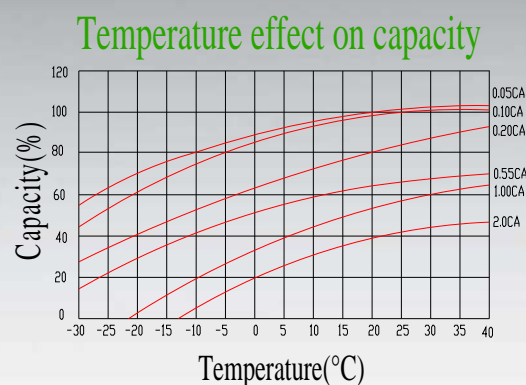
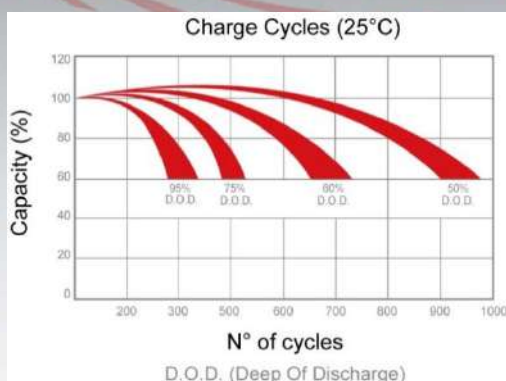
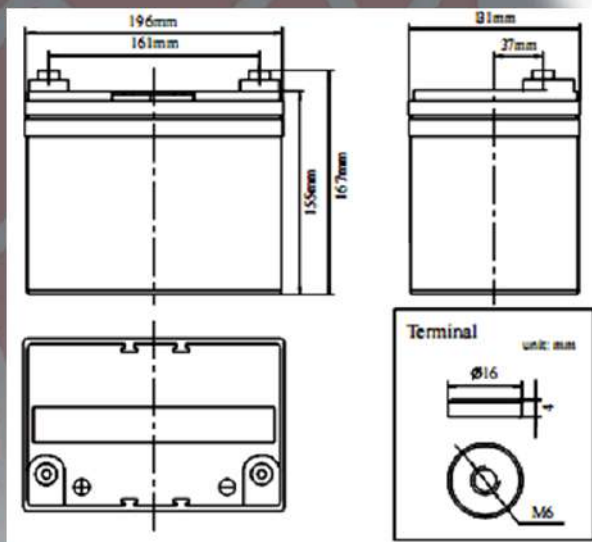
Battery Dimensions/ Dimensioni batteria	L/L	196mm
	W/P	131mm
	H/A	155mm
	Tot- H/A	167mm
Box Dimensions/ Dimensioni scatola	L/L	211mm
	W/P	144mm
	H/A	211mm
Weight/peso		10.8Kg
Terminal/terminal		M6
Case/contenitore		ABS

Amp. (25°C)

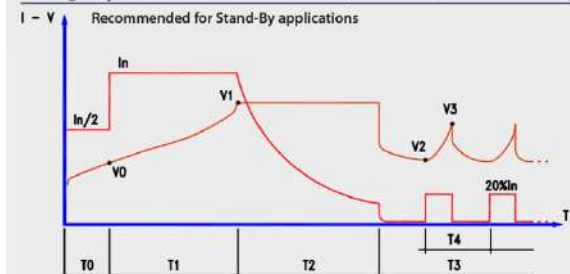
F.V/Time	5min	10min	15min	30min	45min	1h	2h	3h	5h	8h	10h	20h
1.60V			52.9	34.0	24.6	19.4	12.3	8.9	5.8	4.4	3.6	1.93
1.65V			51.9	33.4	24.1	19.3	12.1	8.7	5.7	4.4	3.6	1.89
1.70V			51.0	32.8	23.7	19.1	11.8	8.6	5.6	4.3	3.5	1.86
1.75V			50.0	32.1	23.2	18.7	11.6	8.4	5.5	4.2	3.4	1.82
1.80V			49.0	31.5	22.8	18.4	11.4	8.2	5.3	4.0	3.3	1.75

Watts (25°C)

F.V/Time	5min	10min	15min	30min	45min	1h	2h	3h	5h	8h	10h	20h
1.60V			101.9	65.5	47.3	38.2	23.6	17.1	11.1	8.5	7.0	3.7
1.65V			100.0	64.3	46.4	37.5	23.2	16.8	10.9	8.4	6.8	3.6
1.70V			98.1	63.1	45.5	36.8	22.8	16.5	10.7	8.2	6.7	3.6
1.75V			96.2	61.9	44.7	36.1	22.3	16.1	10.5	8.1	6.6	3.5
1.80V			94.3	60.6	43.8	35.4	21.9	15.8	10.1	7.8	6.3	3.4



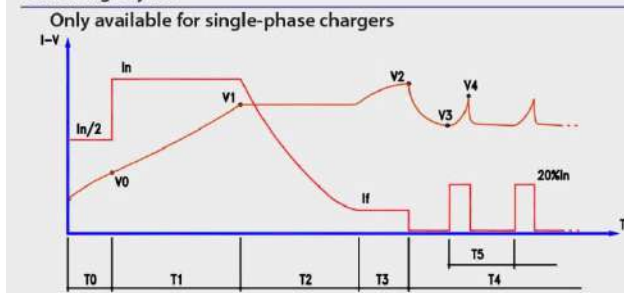
Charge cycle for sealed batteries (GEL/AGM): IU + holding



- I_n = PROGRAMMED CAPACITY/10
- V_0 = 1.90 V/CELL
- V_1 = PROGRAMMED VALUE
- V_2 = 2.10 V/CELL
- V_3 = 2.30 V/CELL
- T_0 = MAX. 1 HR
- T_1 = MAX. 12 HRS
- T_2 = T_1 (MIN. 2-MAX. 5 HRS)
- T_3 = UNLIMITED

“IUla” charge cycle is always recommended in case of more than 2 batteries in series
 Ciclo di carica “IUla” è sempre necessario qualora ci siano più di 2 batterie collegate in serie

IUla charge cycle



- I_n = PROGRAMMED VALUE (CHARGE I)
- I_f = PROGRAMMED VALUE (FINAL I)
- V_0 = 1.90 V/CELL
- V_1 = PROGRAMMED VALUE (THRESHOLD V)
- V_2 = PROGRAMMED VALUE (LOCK V)
- V_3 = 2.10 V/CELL
- V_4 = 2.30 V/CELL
- T_0 = MAX. 1 HR
- T_1 = MAX. 12 HRS
- T_2 = MAX. $T_1 + 6$ HRS OR $I = I_f$
- T_3 = MAX. 4 HRS
- T_4 = UNLIMITED
- T_5 = MAX. 6 HRS