

## CODICE/CODE: **ZLS1201105**

Batteria sigillata AGM DEEP-CYCLE (uso ciclico) al silicone  
Silicon DEEP-CYCLE AGM maintenance free battery



|  |                           |  |
|--|---------------------------|--|
| Volt   |                           | 12V  |
| Capacity/capacità (20h)  |                           | 135Ah  |
| Capacity/capacità<br>25°C  | 10h                       | 122Ah  |
|  | 5h                        | 110Ah  |
|  | 2h                        | 95Ah   |
| Internal Resistance  | Full Charged Battery 25°C | ≤4.5m Ω                                      |
| Capacity affected by<br>Temperature/Effetti<br>della temperature<br>sulla capacità | 40°C                      | 102%   |
|  | 25°C                      | 100%   |
|  | 0°C                       | 85%  |
| Self-Discharge<br>25°C Capacity /<br>Autoscarica a 25°C                            | after 3 month storage     | 90%  |
|  | after 6 month storage     | 80%  |
|  | after 12 month storage    | 62%  |
| Charge<br>cycle/<br>Ciclo di<br>carica   | IU + h                    | "In" max. 27Amp; "V1" 2.43V/cell             |
|  | IUIa                      | "In" max. 27Amp; "V1" 14.4Volt; "If" 1,5Amp. |

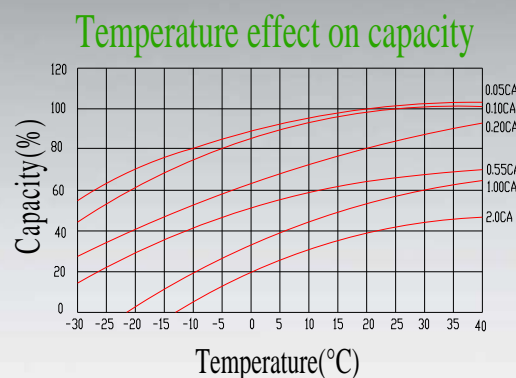
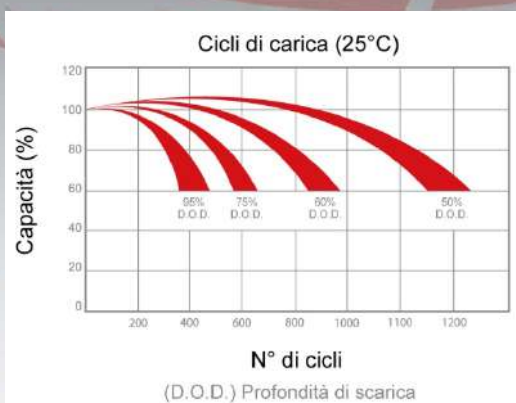
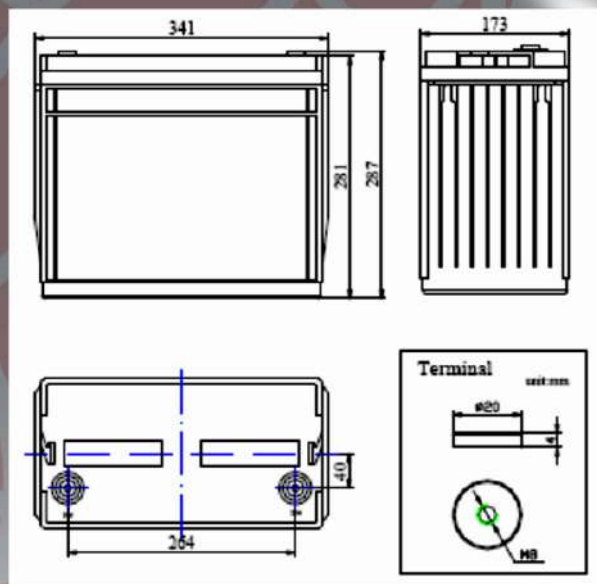
|  |          |       |
|--|----------|-------|
| Battery<br>Dimensions/<br>Dimensioni<br>batteria | L/L      | 341mm |
|  | W/P      | 173mm |
|  | H/A      | 281mm |
|  | Tot- H/A | 283mm |
| Box<br>Dimensions/<br>Dimensioni<br>scatola      | L/L      | 353mm |
|  | W/P      | 186mm |
|  | H/A      | 345mm |
| Weight/peso                                      |          | 42Kg  |
| Terminal/terminal                                |          | M8    |
| Case/contenitore                                 |          | ABS   |

### Amp. (25°C)

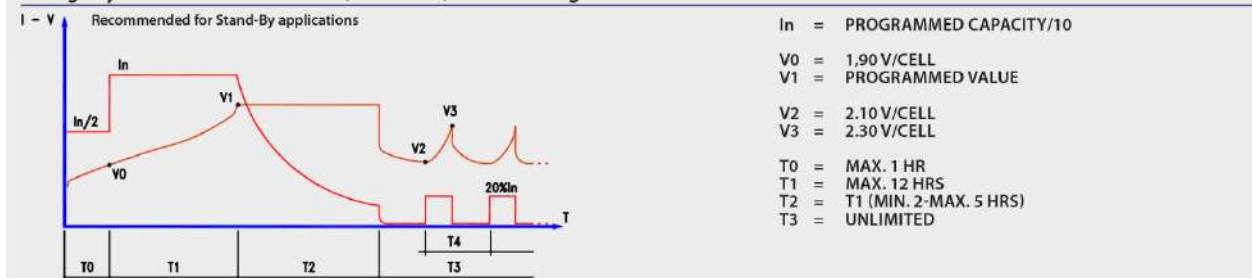
| F.V/Time     | 5min         | 10min        | 15min        | 30min        | 45min       | 1h          | 2h          | 3h          | 5h          | 8h          | 10h         | 20h         |
|--------------|--------------|--------------|--------------|--------------|-------------|-------------|-------------|-------------|-------------|-------------|-------------|-------------|
| 1.60V        | 320.8        | 204.5        | 173.7        | 110.9        | 81.5        | 74.8        | 47.6        | 33.4        | 22.7        | 15.0        | 13.4        | 7.42        |
| 1.65V        | 314.9        | 200.8        | 170.6        | 108.9        | 80.0        | 73.5        | 46.7        | 32.8        | 22.3        | 14.7        | 13.1        | 7.29        |
| 1.70V        | 309.1        | 197.0        | 167.4        | 106.9        | 78.6        | 72.1        | 45.8        | 32.2        | 21.9        | 14.4        | 12.9        | 7.15        |
| <b>1.75V</b> | <b>303.3</b> | <b>193.3</b> | <b>164.3</b> | <b>104.9</b> | <b>77.1</b> | <b>70.8</b> | <b>45.0</b> | <b>31.6</b> | <b>21.5</b> | <b>14.2</b> | <b>12.6</b> | <b>7.02</b> |
| 1.80V        | 291.6        | 185.9        | 158.0        | 100.8        | 74.1        | 68.0        | 43.3        | 30.4        | 20.7        | 13.6        | 12.2        | 6.75        |

### Watts (25°C)

| F.V/Time     | 5min         | 10min        | 15min        | 30min        | 45min        | 1h           | 2h          | 3h          | 5h          | 8h          | 10h         | 20h         |
|--------------|--------------|--------------|--------------|--------------|--------------|--------------|-------------|-------------|-------------|-------------|-------------|-------------|
| 1.60V        | 617.5        | 393.6        | 334.5        | 213.5        | 156.9        | 144.1        | 91.6        | 64.3        | 43.7        | 28.8        | 25.7        | 14.3        |
| 1.65V        | 606.2        | 386.5        | 328.4        | 209.7        | 154.1        | 141.5        | 89.9        | 63.1        | 42.9        | 28.3        | 25.3        | 14.0        |
| 1.70V        | 595.0        | 379.3        | 322.3        | 205.8        | 151.2        | 138.8        | 88.3        | 62.0        | 42.1        | 27.8        | 24.8        | 13.8        |
| <b>1.75V</b> | <b>583.8</b> | <b>372.2</b> | <b>316.2</b> | <b>201.9</b> | <b>148.4</b> | <b>136.2</b> | <b>86.6</b> | <b>60.8</b> | <b>41.4</b> | <b>27.2</b> | <b>24.3</b> | <b>13.5</b> |
| 1.80V        | 561.3        | 357.8        | 304.1        | 194.1        | 142.7        | 131.0        | 83.3        | 58.5        | 39.8        | 26.2        | 23.4        | 13.0        |



### Charge cycle for sealed batteries (GEL/AGM): IU + holding



“IUa” charge cycle is always recommended in case of more than 2 batteries in series  
 Ciclo di carica “IUa” è sempre necessario qualora ci siano più di 2 batterie collegate in serie

### IUa charge cycle

