

## CODICE/CODE: **ZLS1201120**

Batteria sigillata AGM DEEP-CYCLE (uso ciclico) al silicone  
Silicon DEEP-CYCLE AGM maintenance free battery



Volt		12V
Capacity/capacità (20h)		200Ah
Capacity/capacità 25°C	10h	180Ah
	5h	160Ah
	2h	141Ah
Internal Resistance	Full Charged Battery 25°C	≤3.0m Ω
Capacity affected by Temperature/Effetti della temperature sulla capacità	40°C	102%
	25°C	100%
	0°C	85%
Self-Discharge 25°C Capacity / Autoscarica a 25°C	after 3 month storage	90%
	after 6 month storage	80%
	after 12 month storage	62%
Charge cycle/ Ciclo di carica	IU + h	"In" max. 40Amp; "V1" 2.43V/cell
	IUIa	"In" max. 40Amp; "V1" 14.4Volt; "If" 2Amp.

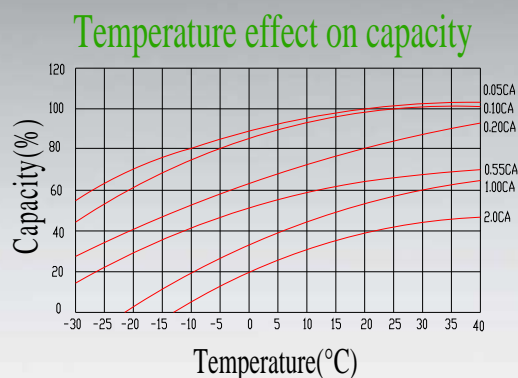
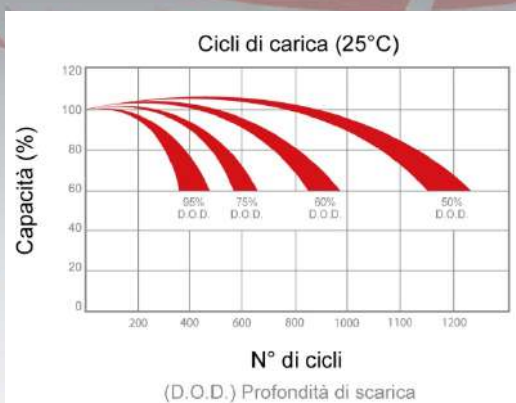
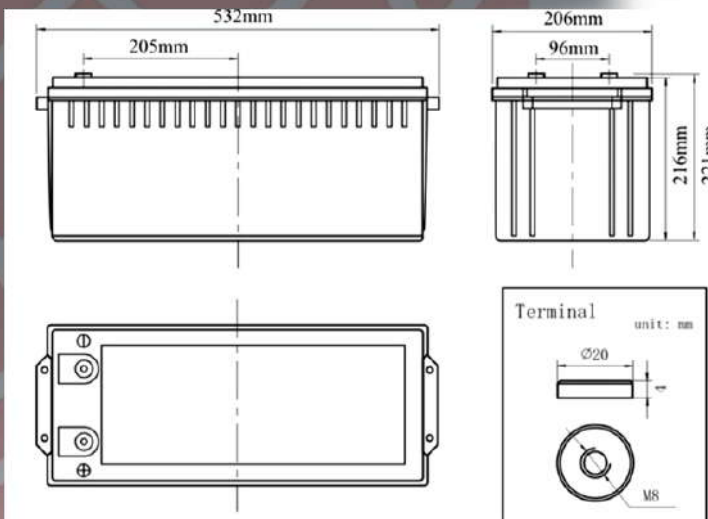
Battery Dimensions/ Dimensioni batteria	L/L	532mm
	W/P	206mm
	H/A	216mm
	Tot- H/A	221mm
Box Dimensions/ Dimensioni scatola	L/L	537mm
	W/P	221mm
	H/A	296mm
Weight/peso		59Kg
Terminal/terminal		M8
Case/contenitore		ABS

### Amp. (25°C)

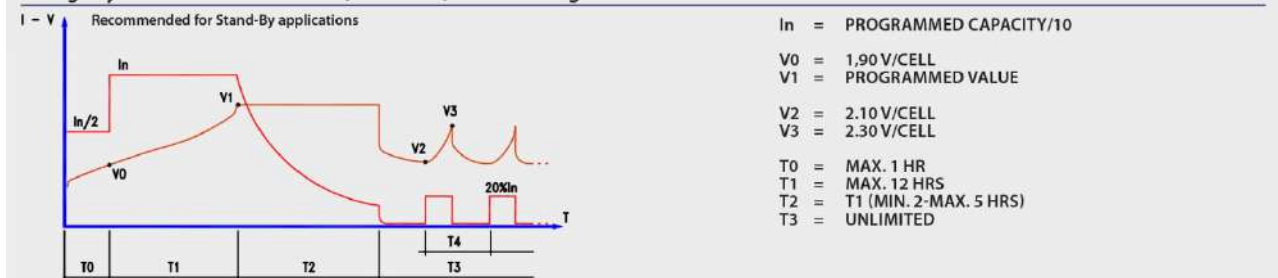
F.V/Time	5min	10min	15min	30min	45min	1h	2h	3h	5h	8h	10h	20h
1.60V	475.2	302.9	257.4	164.3	120.8	110.9	70.5	49.5	33.7	22.2	19.8	11.0
1.65V	466.6	297.4	252.7	161.4	118.6	108.9	69.2	48.6	33.0	21.8	19.4	10.8
1.70V	457.9	291.9	248.0	158.4	116.4	106.8	67.9	47.7	32.4	21.4	19.1	10.6
<b>1.75V</b>	<b>449.3</b>	<b>286.4</b>	<b>243.4</b>	<b>155.4</b>	<b>114.2</b>	<b>104.8</b>	<b>66.6</b>	<b>46.8</b>	<b>31.8</b>	<b>21.0</b>	<b>18.7</b>	<b>10.4</b>
1.80V	432.0	275.4	234.0	149.4	109.8	100.8	64.1	45.0	30.6	20.2	18.0	10.0

### Watts (25°C)

F.V/Time	5min	10min	15min	30min	45min	1h	2h	3h	5h	8h	10h	20h
1.60V	914.8	583.2	495.5	316.4	232.5	213.4	135.7	95.3	64.8	42.7	38.1	21.2
1.65V	898.1	572.6	486.5	310.6	228.3	209.6	133.2	93.6	63.6	41.9	37.4	20.8
1.70V	881.5	562.0	477.5	304.9	224.0	205.7	130.8	91.8	62.4	41.1	36.7	20.4
<b>1.75V</b>	<b>864.9</b>	<b>551.4</b>	<b>468.5</b>	<b>299.1</b>	<b>219.8</b>	<b>201.8</b>	<b>128.3</b>	<b>90.1</b>	<b>61.3</b>	<b>40.4</b>	<b>36.0</b>	<b>20.0</b>
1.80V	831.6	530.1	450.5	287.6	211.4	194.0	123.4	86.6	58.9	38.8	34.7	19.2



### Charge cycle for sealed batteries (GEL/AGM): IU + holding



“IUa” charge cycle is always recommended in case of more than 2 batteries in series  
 Ciclo di carica “IUa” è sempre necessario qualora ci siano più di 2 batterie collegate in serie

### IUa charge cycle

