

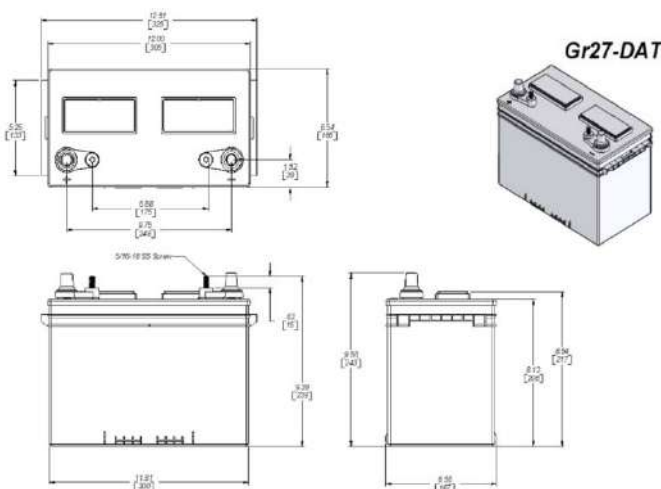
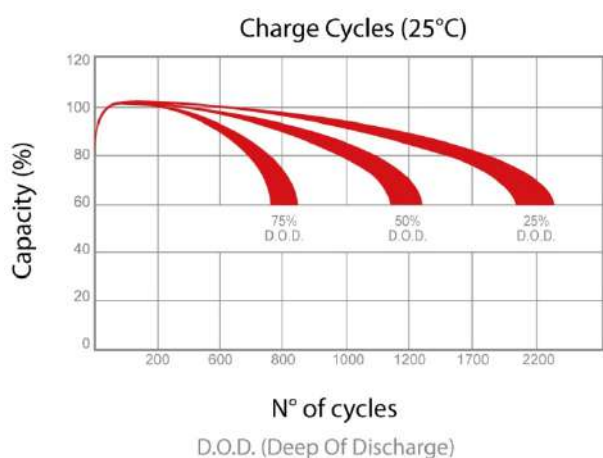
## CODICE/CODE: ZTB120110A

Batteria al piombo ad acido libero, DEEP-CYCLE (uso ciclico)  
Flooded DEEP-CYCLE battery

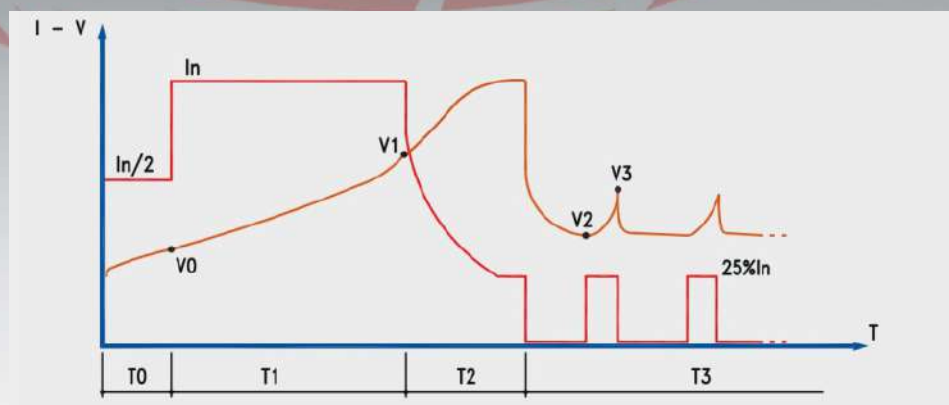


|  |     |                             |       |
|--|-----|-----------------------------|-------|
|  |     | Volt                        | 12V   |
| Capacity/capacità<br>25°C  |     | 20h                         | 105Ah |
|  |     | 5h                          | 85Ah  |
| Capacity affected by<br>Temperature/Effetti<br>della temperatura<br>sulla capacità |     | 40°C                        | 102%  |
|  |     | 25°C                        | 100%  |
|  |     | 10°C                        | 80%   |
|  |     | 0°C                         | 60%   |
| Self-Discharge<br>25°C Capacity /<br>Autoscarica a 25°C                            |     | after 1 month storage       | 90%   |
|  |     | after 2 month storage       | 75%   |
|  |     | after 3 month storage       | 60%   |
| Charge<br>cycle/<br>Ciclo di<br>carica   | Wa  | "I": max. 15Amp, min. 10Amp |       |
|  | IWa | "In": max. 15Amp, min. 8mp  |       |

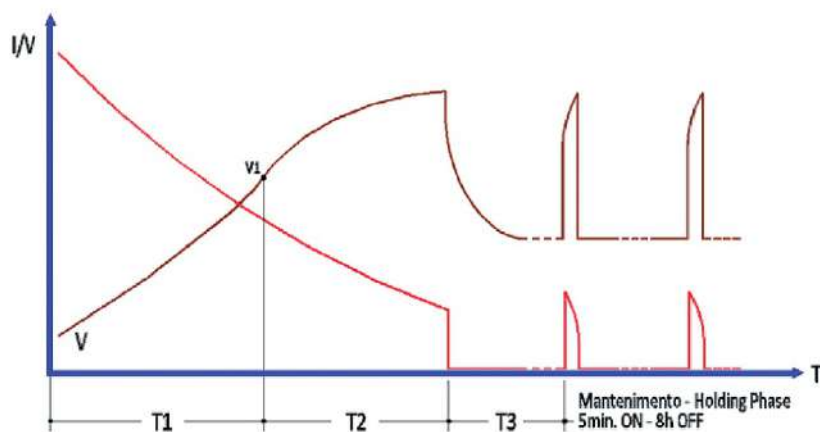
|  |          |        |
|--|----------|--------|
| Battery<br>Dimensions/<br>Dimensioni<br>batteria | L/L      | 305mm  |
|  | W/P      | 171mm  |
|  | H/A      | 248mm  |
|  | USA type | 27DC   |
| Weight/peso                                      |          | 27.2Kg |
| Electrolyte/elettrolita                          |          | 6.64Lt |
| Pcs per pallet<br>/pz. per pallet                |          | 42     |
| Terminal/terminal                                |          | DT     |
| Case/contenitore                                 |          | PP     |



Ciclo di carica "IWa" – "IWa" charge cycle



Ciclo di carica "Wa" – "Wa" charge cycle



DUAL TERMINAL (DT)